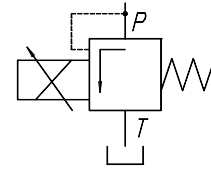
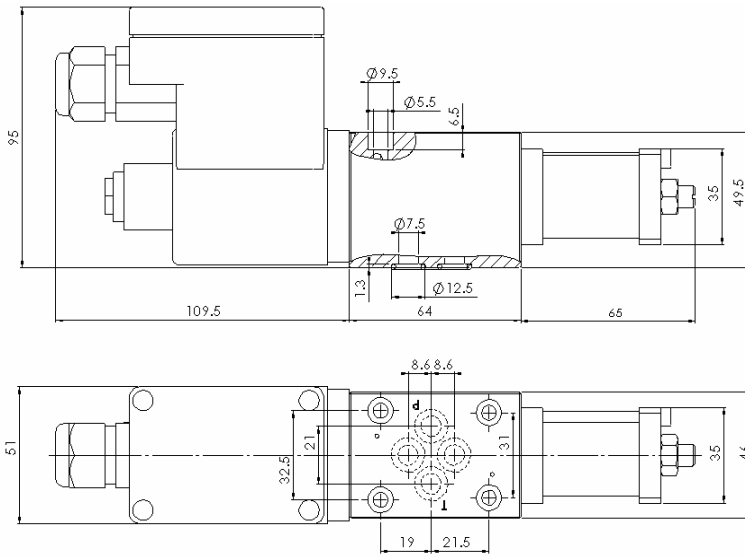
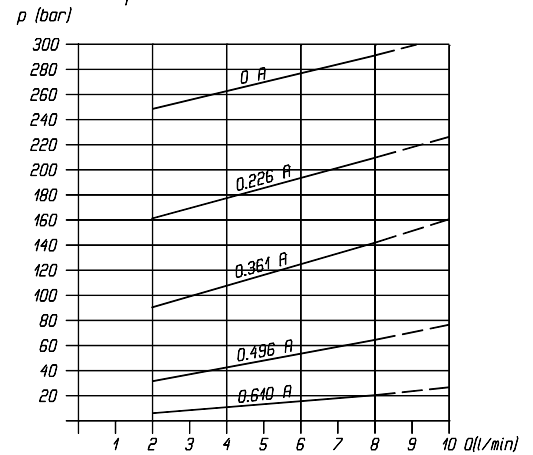


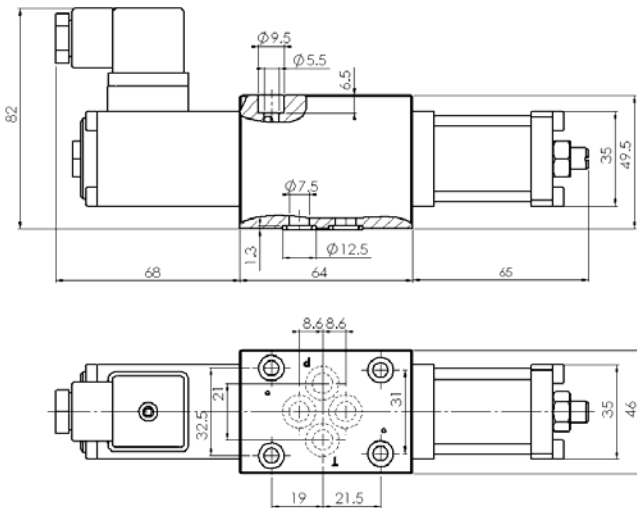
EPDB-06-250-INV-SD-EEx em II T4



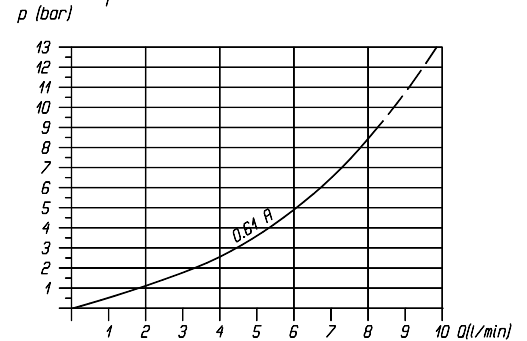
Q-p characteristics



EPDB-06-250-INV-SD



Δp_{min} characteristics



Flow $Q_{nom} = 8 \text{ l/min}$

Pressure range $p = 250 \text{ bar}$

$p_{max} (I = 0 \text{ A}) = 250 \text{ bar}$

$p_{min} (I = 0.61 \text{ A})$ see characteristics Δp_{min}

Nominal voltage $U = 24 \text{ VDC}$, (EEx em II T4)

Function

Direct operated proportional pressure relief valve. A spring force works against the hydraulic pressure. With solenoid deenergized the maximum operating pressure is present. The force of the proportional solenoid counteracts the spring force. With increasing solenoid current the operating pressure declines (inverse function). (See characteristics)

Ordering code:

EPDB-06-250-INV-SD-EEx em II T4

I-p characteristics

