

## Description

The proportional pressure reducing valve (3 way function) is used to control pressure and direction in hydraulic systems, where the pressure frequently has to be changed. Proportional to the solenoid current, solenoid force and pressure in Port A or B rises. With deenergised solenoid, port A and B are connected to port T (throttled). The valve function is practically independent of the pressure in port P. The proportional pressure reducing valve can be delivered with 1 or 2 solenoids.

A typical application is for example a pilot valve for larger proportional directional control valves.

## Technical Data

General Specifications	DRV...-6-3-... .D-EEEx emII T4	DRV...-6-3-... .D
Description:	Proportional pressure reducing valve, direct operated	
Nominal size:	NG6, DIN 24340 A 06, ISO 4401-03, Cetop 3	
Actuator:	Proportional solenoid	
Mounting position:	any, preferably horizontal	
Weight:	2.0 kg (1 solenoid), 2.7 kg (2 solenoids), 3.0 kg (2 solenoids, body 316L)	

Electrical Specifications	solenoid EEx emII T4	solenoid 45 $\phi$
Nominal voltage:	24 VDC	12 VDC, 24 VDC
Current range:	0 - 0.61 A	0 - 0.85 A (24 VDC) 0 - 1.7 A (12 VDC)
Rated resistance R <sub>20</sub> :	32 $\Omega$ (24 VDC)	19.6 $\Omega$ (24 VDC) 5.4 $\Omega$ (12 VDC)
Power rating:	max. 17 W	max. 20.7 W
Relative duty factor:	100%	
Protection class:	IP67 acc. to DIN 40050	IP54 acc. to DIN 40050
Connection:	terminal box	plug connection ISO 4400/DIN 43650 (2P+E)

**Safety, Start up: only for EEx em II T4** The solenoid coils must only be mounted on those valves assigned to. In the power supply for each solenoid a fuse of an appropriate rating (max. 3 times I<sub>B</sub> of solenoid, DIN 41571 or IEC 127) respectively a circuit breaker with electromagnetic and thermal interruption must be installed.

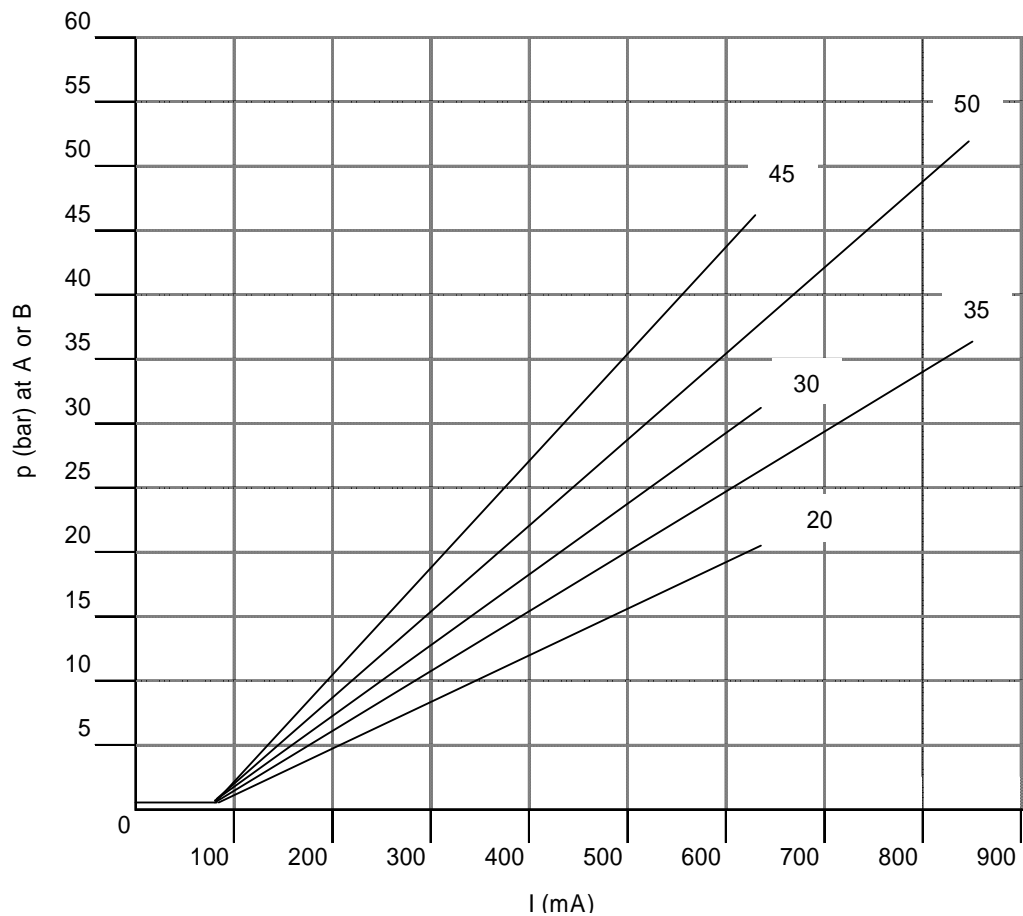
Hydraulic Specifications		
Max. pressure:	max. 315 bar (with optimum conditions max. 100 bar)	
Pressure range:	0 - 20 bar, 0 - 30 bar, 0 - 45 bar	0 - 35 bar, 0 - 50 bar
Max. volume flow:	8 l/min	
Fluid:	Mineral oil, HFC fluid or other fluids on request	
Viscosity range:	12 - 320 mm <sup>2</sup> /s (cSt)	
Filtration:	25 $\mu$ m minimum, recommended: 10 $\mu$ m or better	
Fluid temperature:	- 20 ... + 40° C	- 20 ... + 70° C



## Characteristics

pressure adjustment characteristics  $p_{\text{red}} = f(I)$

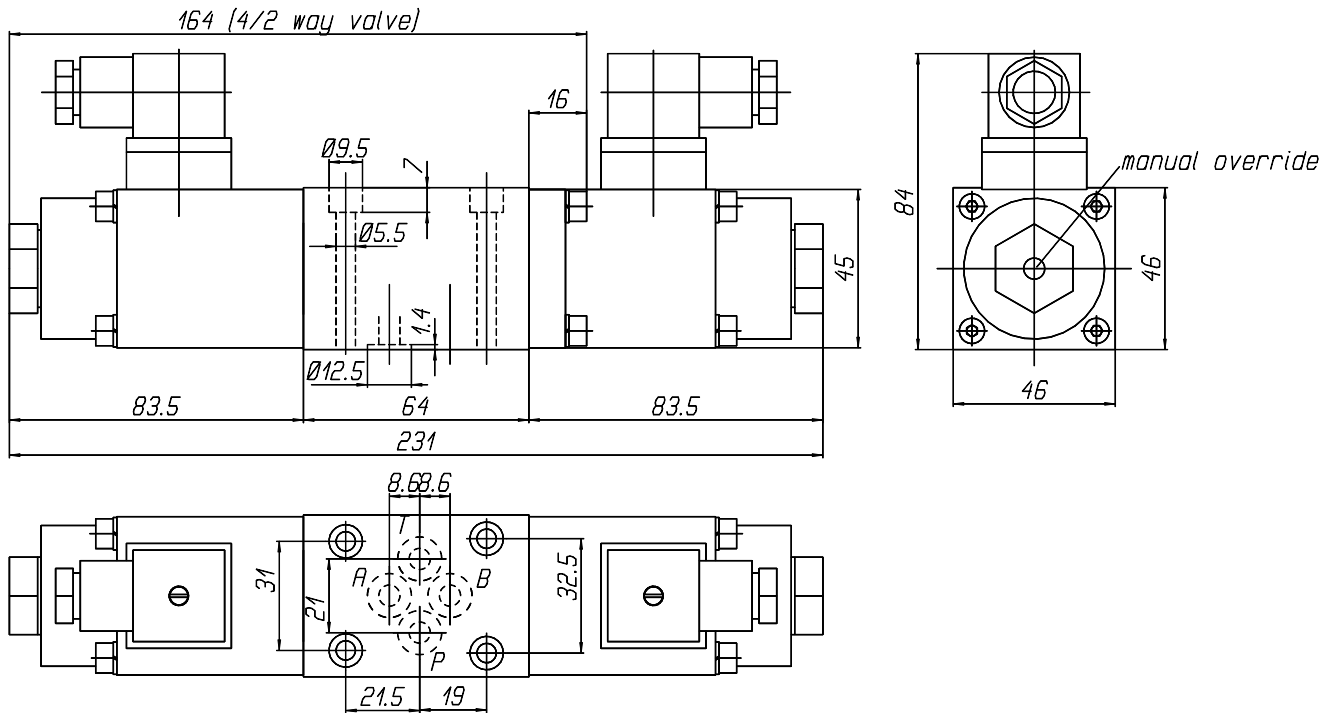
pressure range: 20, 30, 35, 45, 50 bar



measuring conditions:

- hydraulic oil HLP 46; viscosity 46 mm<sup>2</sup>/s
- fluid temperature 40° C
- inlet pressure 70 bar

### Dimension DRVAB-6-3-....D



### Dimension DRVAB-6-3-....D-EEEx emII T4

