

# CFC - Single acting, compact push cylinders with spring return

- Scrapers of polyurethane, positioned so that dirt can't penetrate in between piston rod and cylinder.
- Can be equipped with all kinds of NIKE accessories

CFC cylinders are real all-round cylinders. There are a large number of different CFC cylinders available with different characteristics such as capacity, stroke or height, which will meet your requirements. They have a compact design and a long stroke. The design gives small installation dimensions. CFC cylinders are provided with scrapers to keep the piston free from dirt.

Available in capacities ranging from 5 ton to 100 ton. Models of 5 t, 10 t, 15 t and 25 t can be equipped with an adapter for accessories.



## Options for quick couplings

All cylinders can be delivered with quick couplings of insert type - male <sup>(1)</sup> or of screw model - female <sup>(2)</sup>. When ordering cylinders with screw type coupling, put "P" at the end of the model (e.g. CFC1010P).



# Technical data



Name	Working press. MPa	Capacity kN (t)	Stroke mm	Stroke volume cm <sup>3</sup>	Piston ø mm	Piston area cm <sup>2</sup>	Diameter mm	Height mm	Weight kg
CFC51	70	49 (5)	27	19	25	7	38	110	0.8
CFC53	70	49 (5)	77	55	25	7	38	165	1.2
CFC55	70	49 (5)	127	90	25	7	38	216	1.5
CFC57	70	49 (5)	181	128	25	7	38	273	1.9
CFC59	70	49 (5)	232	165	25	7	38	324	2.2
CFC101	70	111 (11)	25	40	38	16	57	90	1.5
CFC102	70	111 (11)	54	86	38	16	57	121	2
CFC104	70	111 (11)	105	167	38	16	57	171	2.7
CFC106	70	111 (11)	155	247	38	16	57	247	4
CFC108	70	111 (11)	206	328	38	16	57	298	4.6
CFC1010	70	111 (11)	257	409	38	16	57	349	5.3
CFC1012	70	111 (11)	305	485	38	16	57	400	6
CFC1014	70	111 (11)	356	566	38	16	57	451	6.8
CFC151	70	166 (17)	25	59	48	24	70	124	3
CFC152	70	166 (17)	51	121	48	24	70	149	3.5
CFC154	70	166 (17)	101	240	48	24	70	200	4.5
CFC156	70	166 (17)	152	361	48	24	70	272	6.5
CFC158	70	166 (17)	203	482	48	24	70	322	7.5
CFC1510	70	166 (17)	254	603	48	24	70	373	8.5
CFC1512	70	166 (17)	305	725	48	24	70	424	9.5
CFC1514	70	166 (17)	356	846	48	24	70	475	10.9
CFC251	70	232 (24)	25	83	60	33	85	140	5.1
CFC252	70	232 (24)	51	169	60	33	85	165	5.9
CFC254	70	232 (24)	101	335	60	33	85	216	7.7
CFC256	70	232 (24)	159	528	60	33	85	273	9.7
CFC258	70	232 (24)	209	694	60	33	85	324	11.5
CFC2510	70	232 (24)	260	863	60	33	85	375	13.3
CFC2512	70	232 (24)	311	1032	60	33	85	426	15
CFC2514	70	232 (24)	362	1201	60	33	85	476	17
CFC502	70	496 (51)	53	376	80	71	127	176	16
CFC504	70	496 (51)	104	737	80	71	127	227	19
CFC506	70	496 (51)	159	1127	80	71	127	282	23
CFC5013	70	496 (51)	337	2389	80	71	127	460	35
CFC756	70	727 (74)	155	1610	100	104	146	282	30
CFC7513	70	727 (74)	333	3459	100	104	146	492	48
CFC1006	70	929 (95)	168	2230	100	133	175	359	54
CFC10010	70	929 (95)	260	3451	100	133	175	450	65



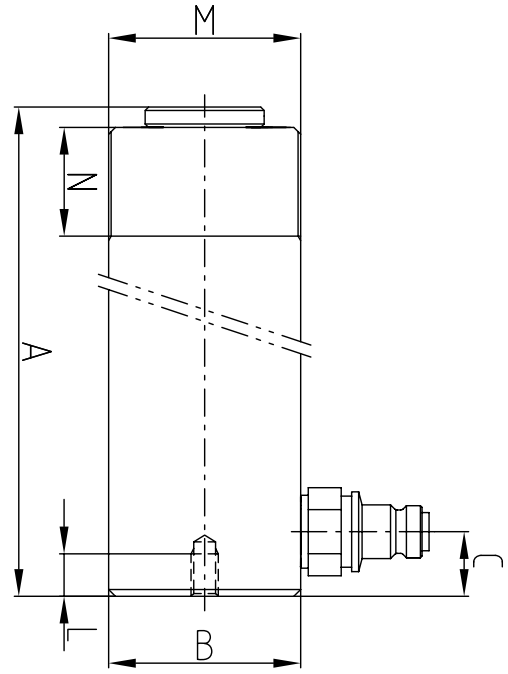
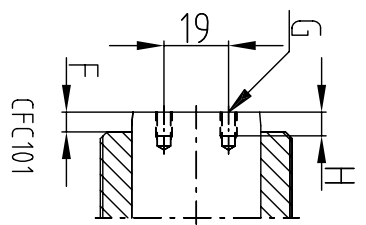
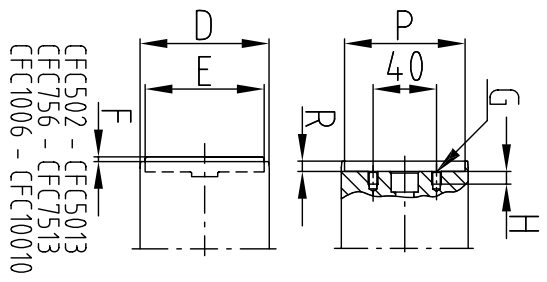
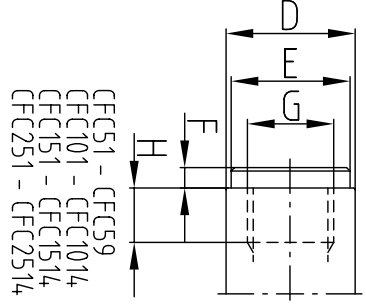
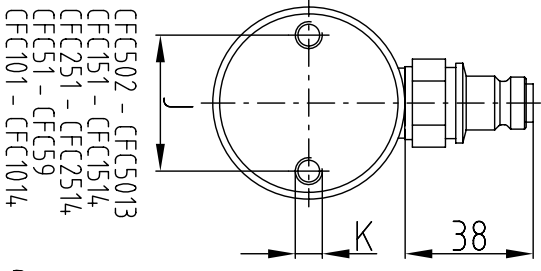
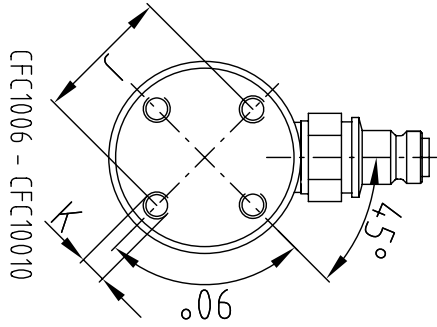
[www.nikehydraulics.com](http://www.nikehydraulics.com)

**NIKE HYDRAULICS AB**  
 Box 1107  
 631 80 Eskilstuna  
 SWEDEN  
 Tel +46 16 - 16 82 00  
 Fax +46 16 - 13 93 16  
 info@nikehydraulics.se

**NIKE HYDRAULICS Inc.**  
 3980 W. Albany, Unit #1  
 MCHENRY, IL 60050  
 USA  
 Tel + 1 815 385 7777  
 Fax + 1 815 385 7776  
 info@nikehydraulics.com

**NIKE POWER EQUIPMENT Ltd.**  
 Unit 6, Stechford Trading Estate  
 Lyndon Road, Stechford  
 BIRMINGHAM B33 8BU, UK  
 Tel +44 121 789 77 07  
 Fax +44 121 789 68 66  
 info@nikehydraulics.co.uk

# Technical data



[www.nikehydraulics.com](http://www.nikehydraulics.com)

**NIKE HYDRAULICS AB**  
 Box 1107  
 631 80 Eskilstuna  
 SWEDEN  
 Tel +46 16 - 16 82 00  
 Fax +46 16 - 13 93 16  
 info@nikehydraulics.se

**NIKE HYDRAULICS Inc.**  
 3980 W. Albany, Unit #1  
 MCHENRY, IL 60050  
 USA  
 Tel + 1 815 385 7777  
 Fax + 1 815 385 7776  
 info@nikehydraulics.com

**NIKE POWER EQUIPMENT Ltd.**  
 Unit 6, Stechford Trading Estate  
 Lyndon Road, Stechford  
 BIRMINGHAM B33 8BU, UK  
 Tel +44 121 789 77 07  
 Fax +44 121 789 68 66  
 info@nikehydraulics.co.uk

# Technical data

Name	Capacity kN (t)	A mm	B ø mm	C mm	D ø mm	E ø mm	F mm	G	H mm	J mm	K	L mm	M	N mm	P ø mm	R mm
CFC51	49 (5)	110	38	19	25	25	6	3/4"-16 UNF	16	25	1/4"-20 UNC	14	1 1/2"-16 UN	29	-	-
CFC53	49 (5)	165	38	19	25	25	6	3/4"-16 UNF	16	25	1/4"-20 UNC	14	1 1/2"-16 UN	29	-	-
CFC55	49 (5)	216	38	19	25	25	6	3/4"-16 UNF	16	25	1/4"-20 UNC	14	1 1/2"-16 UN	29	-	-
CFC57	49 (5)	273	38	19	25	25	6	3/4"-16 UNF	16	25	1/4"-20 UNC	14	1 1/2"-16 UN	29	-	-
CFC59	49 (5)	324	38	19	25	25	6	3/4"-16 UNF	16	25	1/4"-20 UNC	14	1 1/2"-16 UN	29	-	-
CFC101	111 (11)	90	57	19	38	35	3	10-24 UN	7	40	5/16"-18 UNC	12	2 1/4"-14 UN	27	-	-
CFC102	111 (11)	121	57	19	38	35	6	1"-8 UNC	17	40	5/16"-18 UNC	12	2 1/4"-14 UN	27	-	-
CFC104	111 (11)	171	57	19	38	35	6	1"-8 UNC	17	40	5/16"-18 UNC	12	2 1/4"-14 UN	27	-	-
CFC106	111 (11)	247	57	19	38	35	6	1"-8 UNC	22	40	5/16"-18 UNC	12	2 1/4"-14 UN	27	-	-
CFC108	111 (11)	298	57	19	38	35	6	1"-8 UNC	22	40	5/16"-18 UNC	12	2 1/4"-14 UN	27	-	-
CFC1010	111 (11)	349	57	19	38	35	6	1"-8 UNC	22	40	5/16"-18 UNC	12	2 1/4"-14 UN	27	-	-
CFC1012	111 (11)	400	57	19	38	35	6	1"-8 UNC	22	40	5/16"-18 UNC	12	2 1/4"-14 UN	27	-	-
CFC1014	111 (11)	451	57	19	38	35	6	1"-8 UNC	22	40	5/16"-18 UNC	12	2 1/4"-14 UN	27	-	-
CFC151	166 (17)	124	70	19	48	38	10	1"-8 UNC	17	48	3/8"-16 UNC	13	2 3/4"-16 UN	30	-	-
CFC152	166 (17)	149	70	19	48	38	10	1"-8 UNC	22	48	3/8"-16 UNC	13	2 3/4"-16 UN	30	-	-
CFC154	166 (17)	200	70	19	48	38	10	1"-8 UNC	22	48	3/8"-16 UNC	13	2 3/4"-16 UN	30	-	-
CFC156	166 (17)	272	70	25	48	38	10	1"-8 UNC	25	48	3/8"-16 UNC	13	2 3/4"-16 UN	30	-	-
CFC158	166 (17)	322	70	25	48	38	10	1"-8 UNC	25	48	3/8"-16 UNC	13	2 3/4"-16 UN	30	-	-
CFC1510	166 (17)	373	70	25	48	38	10	1"-8 UNC	25	48	3/8"-16 UNC	13	2 3/4"-16 UN	30	-	-
CFC1512	166 (17)	424	70	25	48	38	10	1"-8 UNC	25	48	3/8"-16 UNC	13	2 3/4"-16 UN	30	-	-
CFC1514	166 (17)	475	70	25	48	38	10	1"-8 UNC	25	48	3/8"-16 UNC	13	2 3/4"-16 UN	30	-	-
CFC251	232 (24)	140	85	22	60	50	10	1 1/2"-16 UN	25	59	1/2"-13 UNC	19	3 5/16"-12 UN	49	-	-
CFC252	232 (24)	165	85	22	60	50	10	1 1/2"-16 UN	25	59	1/2"-13 UNC	19	3 5/16"-12 UN	49	-	-
CFC254	232 (24)	216	85	22	60	50	10	1 1/2"-16 UN	25	59	1/2"-13 UNC	19	3 5/16"-12 UN	49	-	-
CFC256	232 (24)	273	85	22	60	50	10	1 1/2"-16 UN	25	59	1/2"-13 UNC	19	3 5/16"-12 UN	49	-	-
CFC258	232 (24)	324	85	22	60	50	10	1 1/2"-16 UN	25	59	1/2"-13 UNC	19	3 5/16"-12 UN	49	-	-
CFC2510	232 (24)	375	85	22	60	50	10	1 1/2"-16 UN	25	59	1/2"-13 UNC	19	3 5/16"-12 UN	49	-	-
CFC2512	232 (24)	426	85	22	60	50	10	1 1/2"-16 UN	25	59	1/2"-13 UNC	19	3 5/16"-12 UN	49	-	-
CFC2514	232 (24)	476	85	22	60	50	10	1 1/2"-16 UN	25	59	1/2"-13 UNC	19	3 5/16"-12 UN	49	-	-
CFC502	496 (51)	176	127	33	80	75	3	M6	8	95	M12	19	5"-12 UN	55	76	6
CFC504	496 (51)	227	127	33	80	75	3	M6	8	95	M12	19	5"-12 UN	55	76	6
CFC506	496 (51)	282	127	33	80	75	3	M6	8	95	M12	19	5"-12 UN	55	76	6
CFC5013	496 (51)	460	127	33	80	75	3	M6	8	95	M12	19	5"-12 UN	55	76	6
CFC756	727 (74)	282	146	29	100	75	5	M6	8	-	-	-	5 3/4"-12 UN	44	77	4
CFC7513	727 (74)	492	146	29	100	75	5	M6	8	-	-	-	5 3/4"-12 UN	44	77	4
CFC1006	929 (95)	359	175	41	100	75	5	M6	8	140	3/4"-10 UNC	24	6 7/8"-12 UN	54	77	4
CFC10010	929 (95)	450	175	41	100	75	5	M6	8	140	3/4"-10 UNC	24	6 7/8"-12 UN	54	77	4



[www.nikehydraulics.com](http://www.nikehydraulics.com)

**NIKE HYDRAULICS AB**  
 Box 1107  
 631 80 Eskilstuna  
 SWEDEN  
 Tel +46 16 - 16 82 00  
 Fax +46 16 - 13 93 16  
 info@nikehydraulics.se

**NIKE HYDRAULICS Inc.**  
 3980 W. Albany, Unit #1  
 MCHENRY, IL 60050  
 USA  
 Tel + 1 815 385 7777  
 Fax + 1 815 385 7776  
 info@nikehydraulics.com

**NIKE POWER EQUIPMENT Ltd.**  
 Unit 6, Stechford Trading Estate  
 Lyndon Road, Stechford  
 BIRMINGHAM B33 8BU, UK  
 Tel +44 121 789 77 07  
 Fax +44 121 789 68 66  
 info@nikehydraulics.co.uk