

Description

The manually 4/2 way valve is intended for use as an emergency shut off valve. Often it is used as a 3/2 way pilot valve to shut off bigger valves. In the "on" position P connects to A, B connects to T. The red push-knob is held in position by spring loaded balls (detent) so that an accidentally light brush on the knob does not displace the valve spool.

If the push-knob is forcefully pushed, the P connects to B, A will be drained to T. The valve is locked in the shut off position.

In order to reset the valve, the green sleeve must be pushed towards the valve body while simultaneously pulling the red push-knob back to its initial position.

The valve is protected for use in seawater atmosphere.

Technical Data

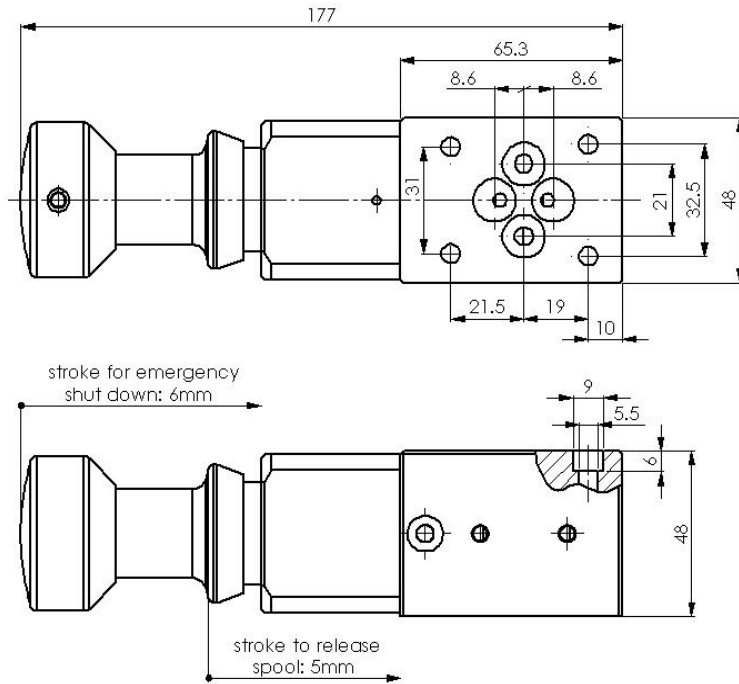
General Specifications	42W-6-3AR-SSM
Description:	4/2 way valve, manually operated, NG6 to ISO 3301
Actuator:	Push-knob, relief sleeve
Mounting position:	any
Ambient temperature:	- 20 ... + 50° C
Weight:	1.72 kg

Hydraulic Specifications	
Nominal flowrate:	12 l/min
Max. pressure on P, A and B:	$p_{max} = 350 \text{ bar}$
Max. pressure on T:	$p_{max} = 150 \text{ bar}$
Fluid:	Mineral oil or other fluid on request
Viscosity range:	12-320 mm ² /s (cSt)
Filtration:	25 µm minimum
Fluid temperature:	- 20 ... + 70° C
Internal leakage:	See diagramm

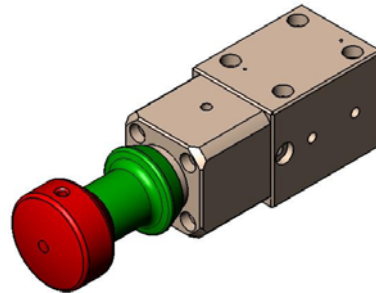
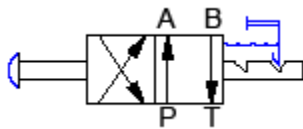
Type Code

42W	-06	-3AR	-SSM	-1	
					Design status
					Special locking device
					Function see symbol, detent
					Mounting interface NG6
					Emergency shut off valve

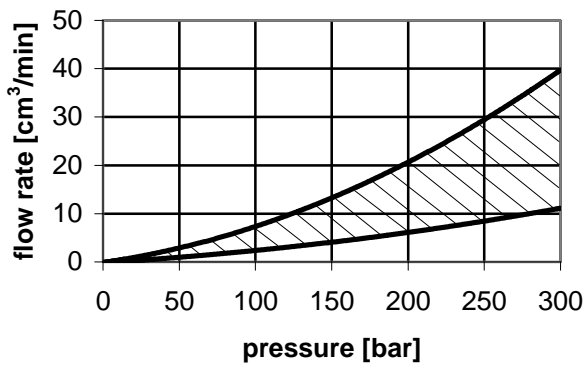
Dimensions



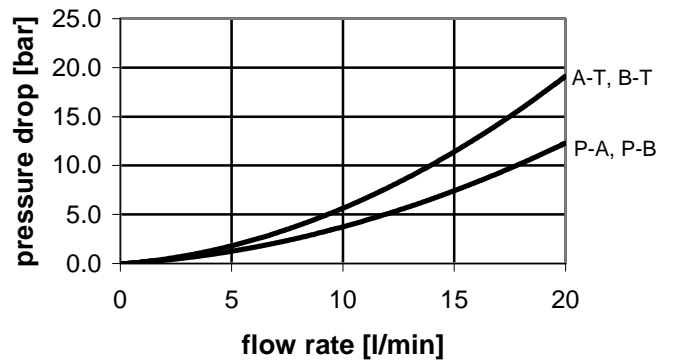
Symbol



Internal Leakage *



Pressure drop *



* measured with ISO46 mineral oil at 40°C